

RC-single acting hydraulic steel cylinder

- It has the characteristic of low collapsed height, if the requirement of stroke needs to be higher than RMC series, RC series is suit for this case.
- The surface of principle axis is finished with chrome plate to protect the using of longeity of the product.
- Plunger has the function of retracting automatically
- WRC rotary head, can work in bevel.



DESCRIPTION OF PARTS

1. Stopping ring

(to protect the cylinder when the stroke get to top, absorb heaviness in the other side.)

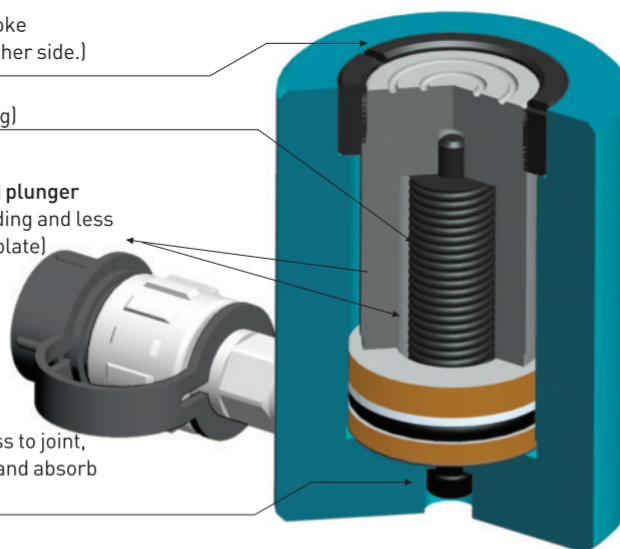
2. Spring

(provide the capability of quick flexing)

3. Cylinder wall and plunger

(they can avoid eroding and less friction by chrome plate)

4. Brass ring (use high quality of brass to joint, to protect the status of overloading and absorb heaviness in the other side.)



Item.no	Output (l)	Stroke (mm)	Effective area (cm ²)	Oil capacity (l)	Height of Product (mm)	Extended Height (mm)	Outside dia (Φ mm)	Bore dia (Φ mm)	Principal axis Dia (Φ mm)	Oil supply hole Thread NPT	Saddle Protrusion from Plgr (mm)
RC-0550	5	50	7.1	0.036	121	171	40	30	25	1/4	1
RC-1050	10	50	15.2	0.075	105	155	73	44	38	3/8	2
RC-2050	20	50	33.2	165.9	103	153	93	65	55	3/8	2
RC-3050	30	50	44.2	0.221	103	153	107	75	65	3/8	2
RC-5050	50	50	70.8	0.355	108	159	128	95	85	3/8	2
RC-10050	100	50	132.7	0.664	135	185	175	130	110	3/8	2
RC-15050	150	50	201.0	1.005	137	187	207	160	140	3/8	2
RC-20050	200	50	280.4	1.402	137	187	238	189	169	3/8	2
RC-30050	300	50	415.3	2.077	152	202	287	230	210	3/8	3
WRC-10050	100	50	132.7	0.664	148.5	198.5	175	130	110	3/8	13.5