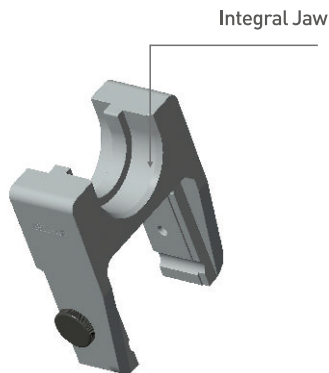


PZ-2620 Battery Powered Axial Press Tool

For axial press air conditioner pipe
Be used in air conditioner, heating, refrigeration system



Specifications

Rated pressure:	26kN
Connecting range:	φ6.35-28.6mm copper pipe
Charging voltage:	AC 100V~240V ;50~60Hz
Charging time:	Approx.40mins
Oil capacity:	≈60ml
Stroke:	20mm
Service interval:	10000cycles
Voltage of battery:	DC 18V,2.0Ah
Ambient temperature:	-10°C~40°C
Weight:	For axial press Pex and Multi-layer pipe 1.94kgs(tool with battery)

Accessories:

Connecting jaws(optional):	6.35、9.52、12.7、15.88、19.05、 22.2、25.4、28.6mm (Integral type)
Battery:	2 pcs
Charger:	1 pc
Sealing ring of cylinder:	1 set
Sealing ring of safety valve:	1 set

Kit includes: PZ-2620 AXIAL PRESS TOOL,
Connecting jaws, Two 2.0Ah Batteries,
One Charger and Carrying Case.

